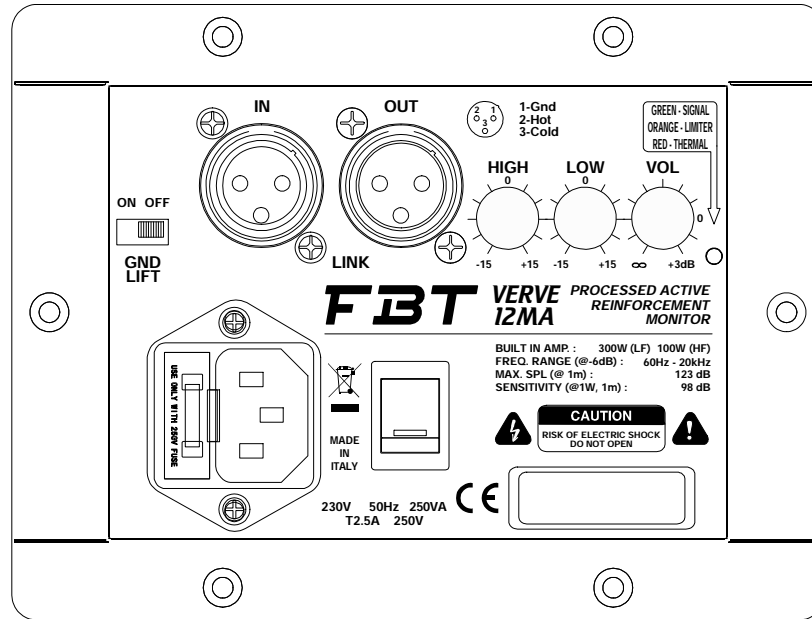
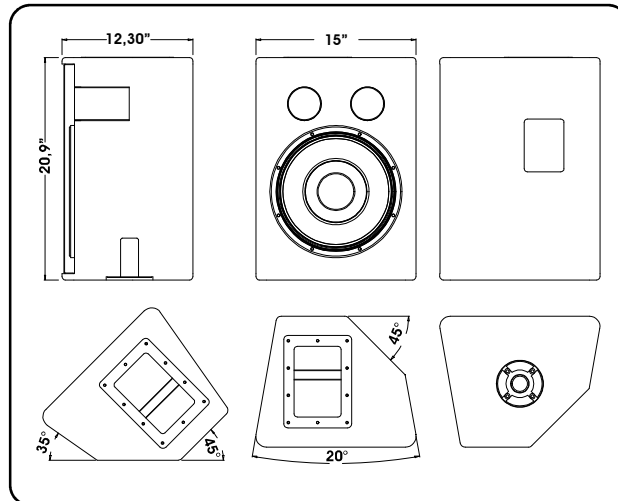


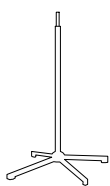
CONTROL PANEL



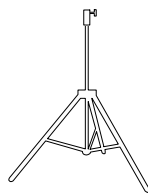
DIMENSIONAL DRAWINGS



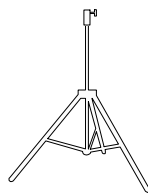
ACCESSORIES



SS2
Standard speaker stand



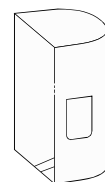
BOX 32BK
Adjustable aluminum speaker stand, damped safety mechanism



BOX 22BK
Adjustable aluminum speaker stand, 1.38" with 1" adapter



BOX 52BK
Adjustable for sub-satellite speaker connection, with safety locking device



V 54
Carrying Bag