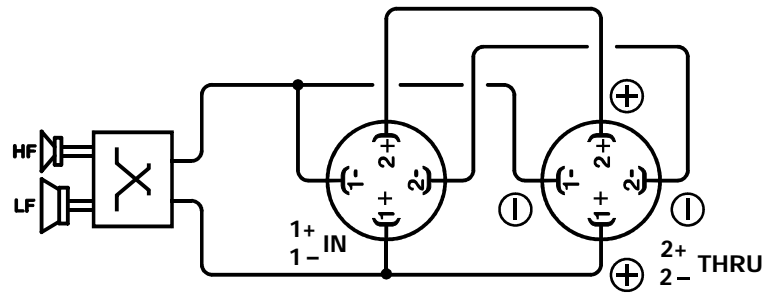
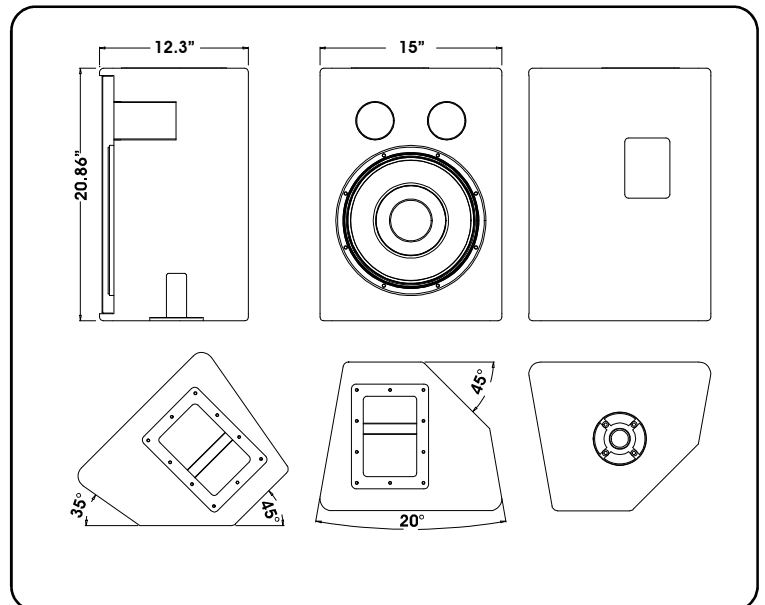
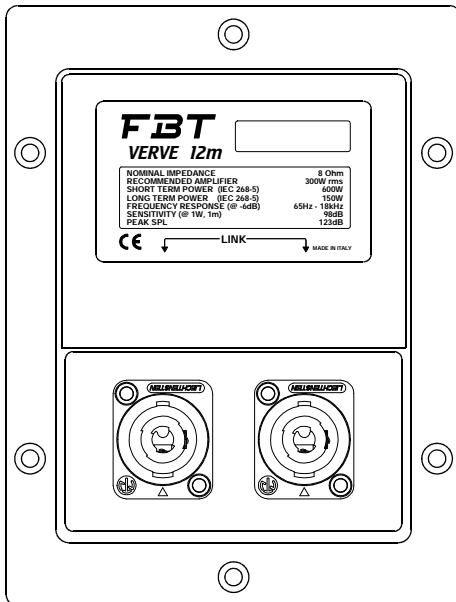


BLOCK DIAGRAM



INPUT CONNECTORS

DIMENSIONAL DRAWINGS



ACCESSORIES

