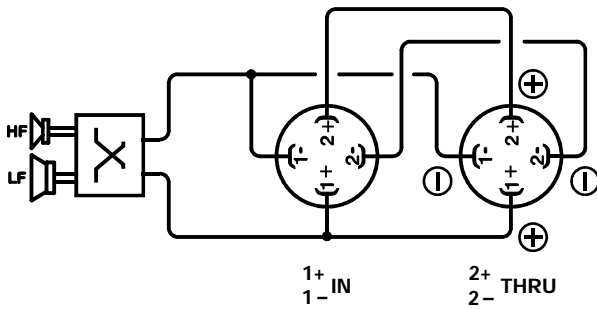
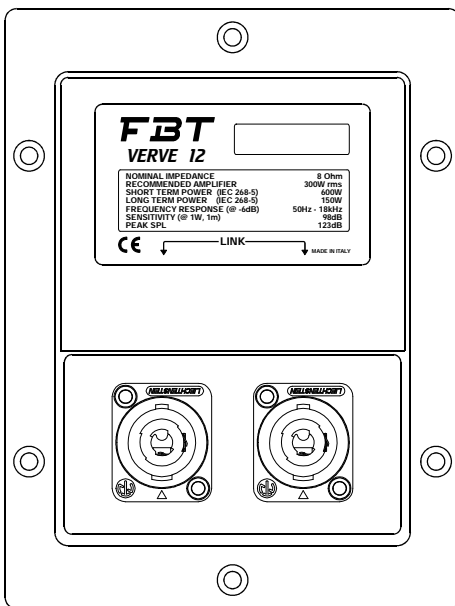


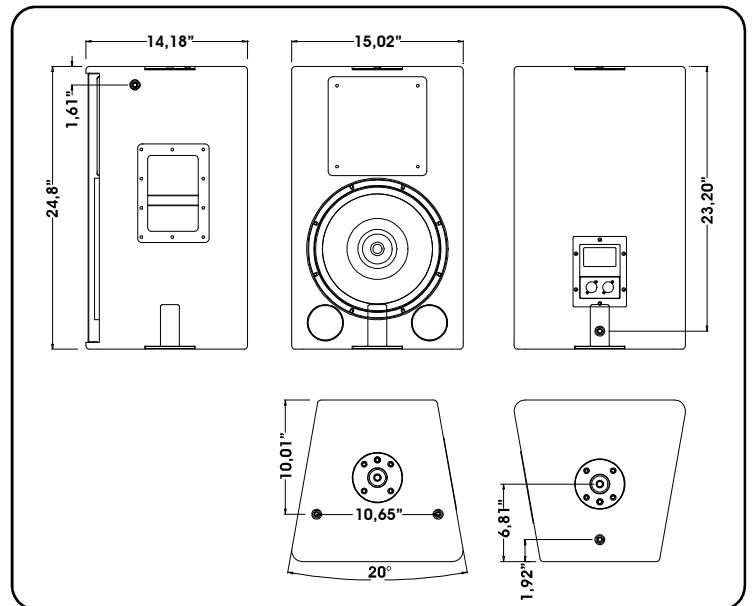
BLOCK DIAGRAM



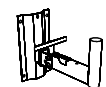
INPUT CONNECTORS



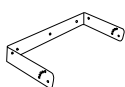
DIMENSIONAL DRAWINGS



ACCESSORIES



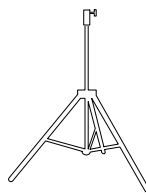
BOX 120
Directional wall mount



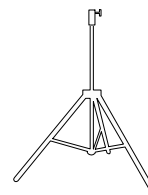
BOX 115
Mount for horizontal wall installation



SS2
Standard speaker stand



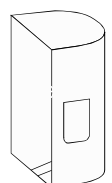
BOX 32BK
Adjustable aluminum speaker stand, damped safety mechanism



BOX 22BK
Adjustable aluminum speaker stand, 1.38" with 1" adapter



BOX 52BK
Adjustable for sub-satellite speaker connection, with safety locking device



V 47
Carrying Bag