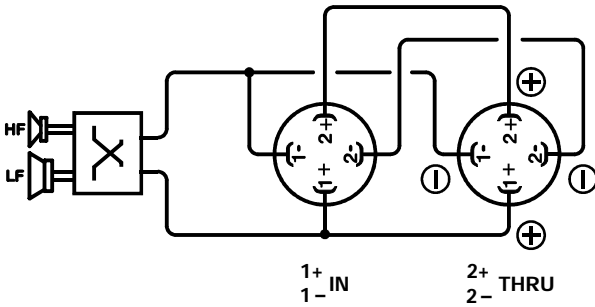
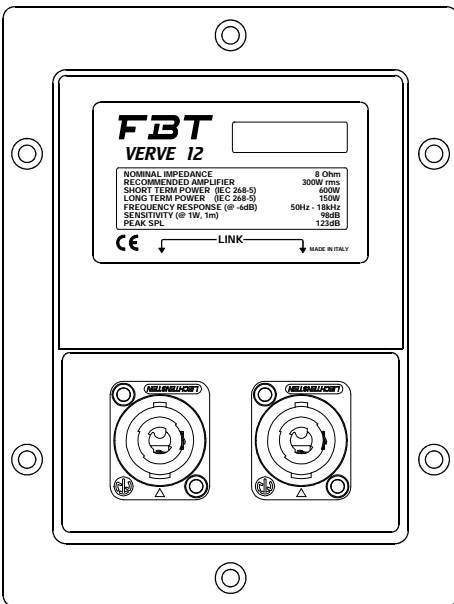


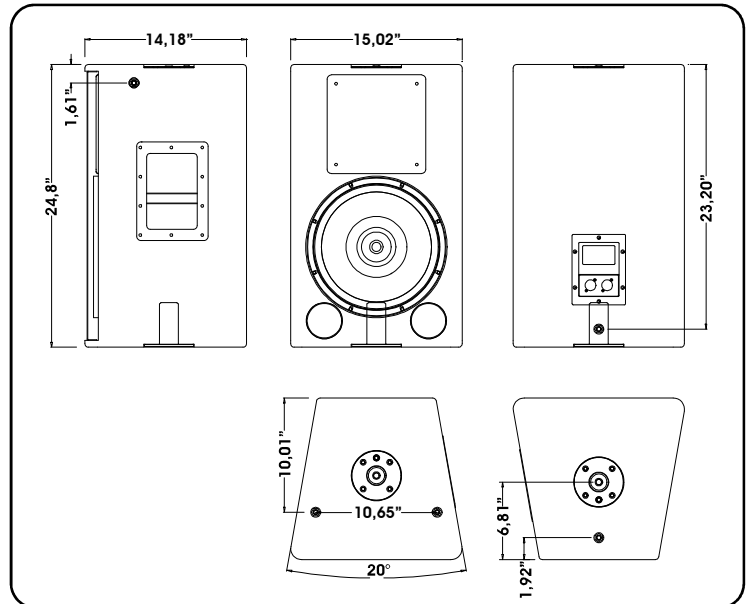
BLOCK DIAGRAM



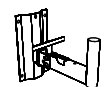
INPUT PANEL



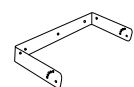
DIMENSIONAL DRAWINGS



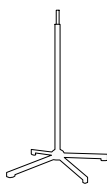
ACCESSORIES



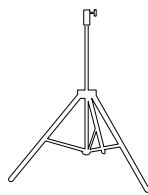
BOX 120
Directional wall
mount



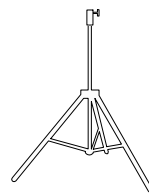
BOX 115
Mount for
horizontal
wall installation



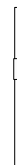
SS2
Standard speaker
floor stand



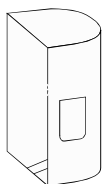
BOX 32BK
Adjustable aluminum
speaker stand, damped
safety mechanism



BOX 22BK
Adjustable aluminum
speaker stand, ϕ 1.38"
with ϕ 1" adapter



BOX 52BK
Adjustable for
sub to satellite
speaker connection,
with safety locking
device



V 47
Carrying Bag