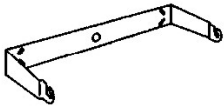
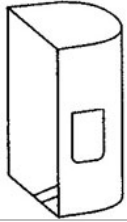
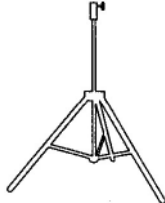
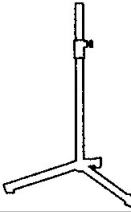



FBT MaxX 2 / 2A - Accessories

BOX-102		Mount for Horizontal Wall Installation
V-30		Nylon Cordura Carrying / Protection Bag Protects your investment!
BOX-30BK		Adjustable Aluminum Speaker Stand. Max. Weight 130 lbs.
BOX-40BK		Adj. Steel Speaker Stand. Max. Weight 130 lbs.
BOX-50		Adjustable Subwoofer to Satellite Speaker pole, with safety locking device. 1 3/8" shaft